



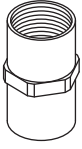



Replacing the Media for the Pelican PC600/PC1000 Carbon Series Whole House Filters

Complete Parts List

Table 1: Parts List

Part	Description	Qty.	Part	Description	Qty.
	Blue Cap	1		Blue Funnel	1
	Carbon Media ** Depending on your system, you could have multiple bags of Carbon Media.	**		PVC Male Hose Adapter: PVC 1" Female to 3/4" Threaded Male Adapter	1
	PVC Female Hose Adapter: 1" to 1" Female Threaded Adapter	1		1" PVC Elbow Assembly: V3007 WS1 Fitting 1" PVC Male NPT Elbow Assembly: O-Rings, Snap Rings, Connectors, and 90° Elbows	1

The riser tube may or may not be fixed inside the tank depending on the model. Follow all the directions below if your model has a removable riser tube. If your model has a fixed riser tube, disregard the first note below and leave riser tube as-is.

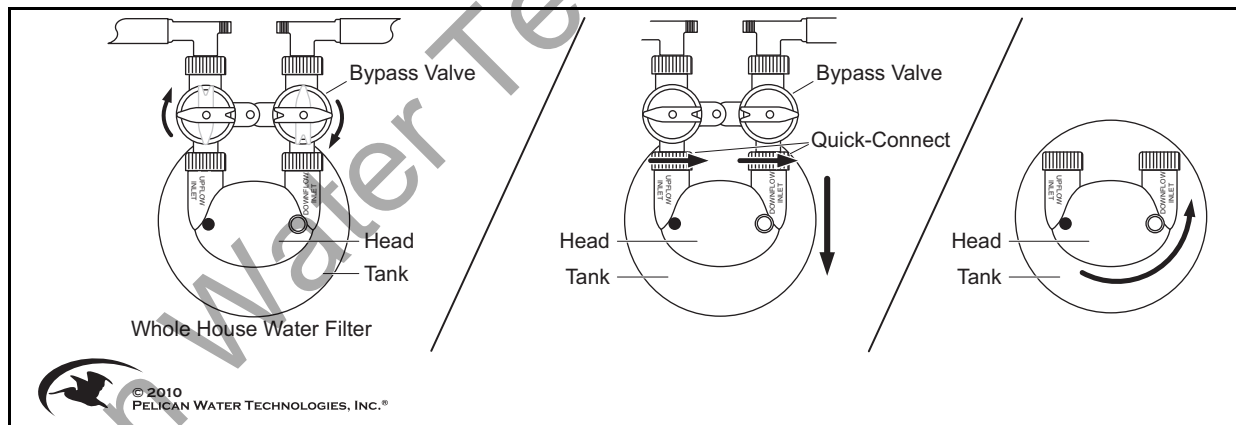


Figure 1

1. Turn the arrows on the Bypass Valve as shown to place the Bypass Valve into bypass mode.
2. Unscrew the Quick-Connects on the tank side of the Bypass Valve, leaving the Bypass Valve connected to the plumbing. Unscrew and remove the head from the tank.
3. Pour the expired carbon media from the tank. It may be necessary to use a water hose to wash the wet media from the inside of the tank. Dispose of the expired carbon media with normal household debris.

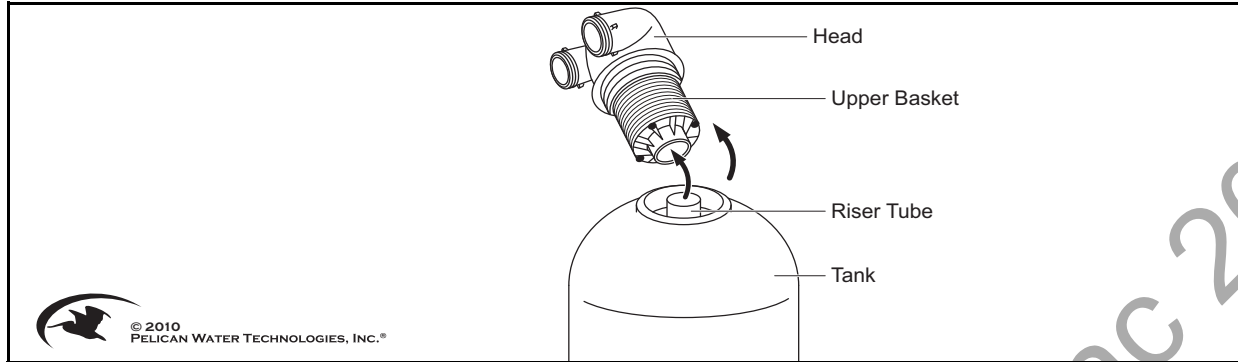


Figure 2

Note: If your tank has a removable riser tube, when removing the expired media from the tank the riser tube inside the tank will be flushed out of the tank along with the expired media. If this occurs, pull the tube all the way out and put it aside until the expired carbon media is fully removed from the tank. If the riser tube does not come out during the above process, disregard this note and skip to step 5.

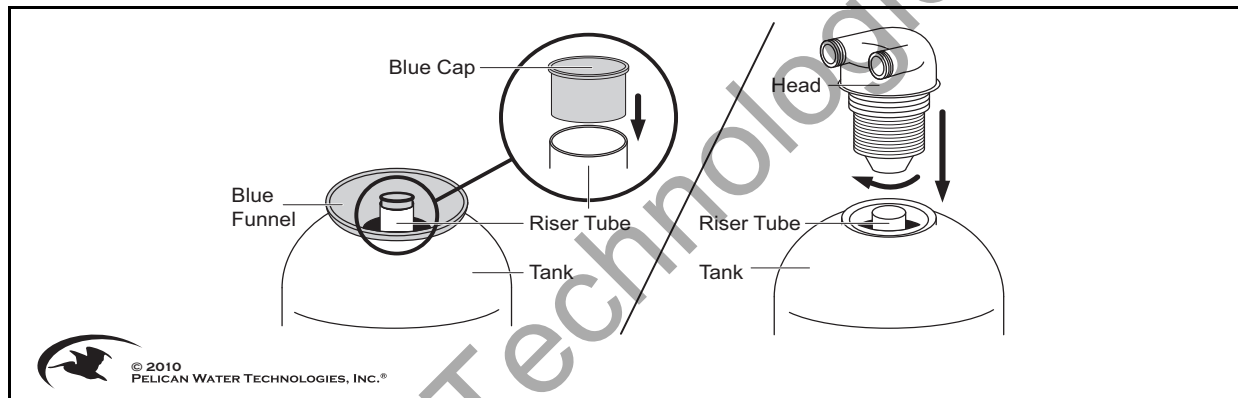


Figure 3

4. Once the expired media is removed, replace the riser tube inside the tank with the attached lower basket on the bottom and the open tube facing up.
5. The riser tube will rest in the center of the bottom of the tank. Cover the top of the riser tube with the provided blue cap then pour media replacement into the tank with the funnel provided.
6. Remove the blue cap from the end of the riser tube and fit the riser tube into the bottom of the upper basket attached to the head.
7. Push down to screw the head back onto the tank hand-tight.

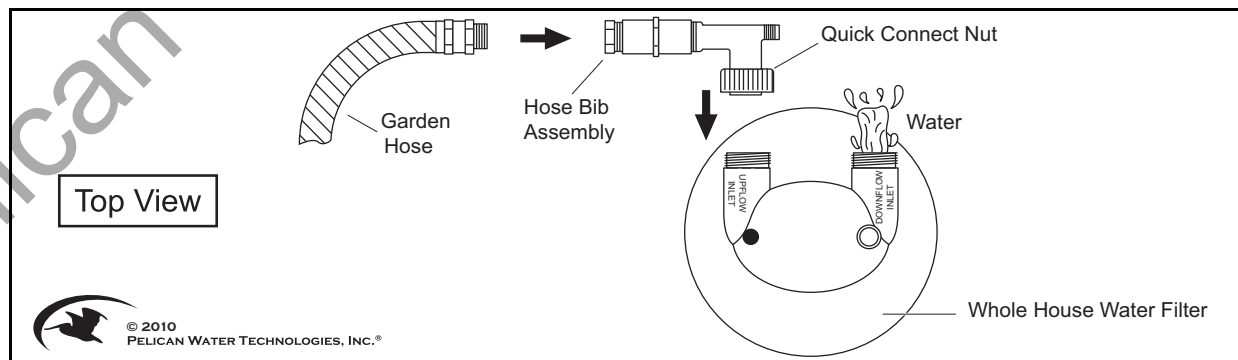


Figure 4

8. Use the supplied fitting to connect your garden hose to the upflow inlet side of the tank head.
9. Fill the tank with water until the water starts to flow out the downflow inlet. Turn water off and let soak for 48 hours.
10. After 48 hours, turn the garden hose on 1/4 turn and rinse the tank for 15-30 minutes or until the water runs clear.
11. Turn off the water.

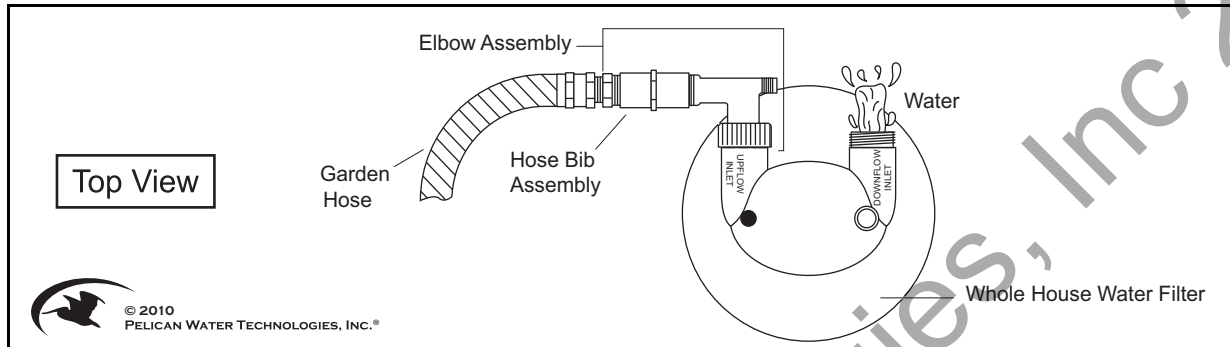


Figure 5

12. Use the supplied fitting to connect your garden hose to the downflow inlet side of the tank head.
13. Run water through the downflow inlet side for 1 minute or until the water runs clear.
14. Turn off the water.
15. Disconnect the garden hose from the tank and remove the fitting.

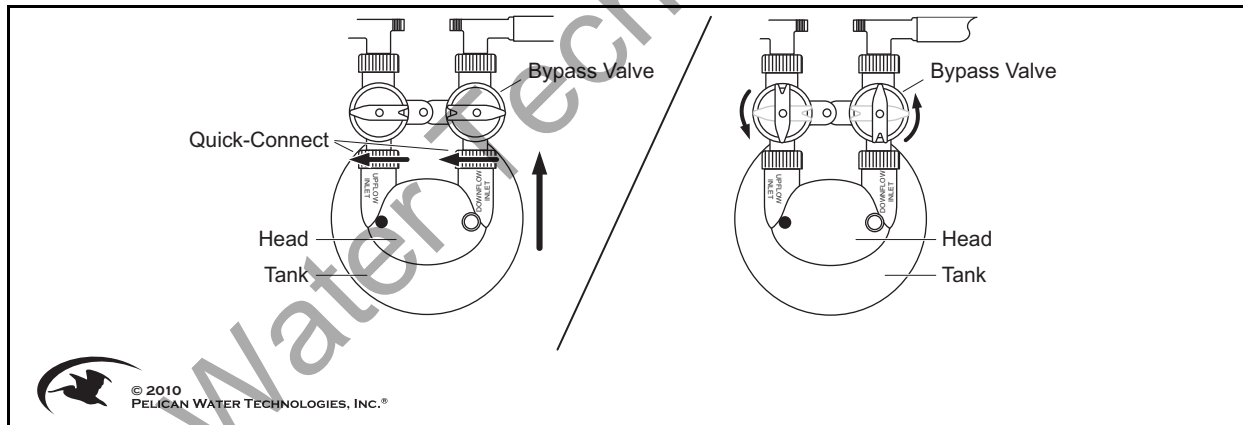


Figure 6

16. Install the tank head back onto the Bypass Valve hand-tight all the way to the tabs. Turn the arrows on the Bypass Valve back to their original positions.

Note: Avoid high flow rates (such as bathtubs or multi-head showers) for the first 72 hours to avoid flow restriction caused by carbon blockage of the upper basket inside the carbon tank.